

LIMIT SWITCH BOX

ALS Series

Visual Position Indicator

"Quick Set" Cams

Compact Design



FEATURES

- 1. Visual Position Indicator**
 - ALS 10 : Dual 1/2" conduit entries
 - ALS 20 : Dual 3/4" conduit entries
- 2. "Quick-Set" Cam**

A L S Limit Switch adjustment cams are splined and spring loaded, the switch cam position can be quickly adjusted without tools.
- 3. Multipoint Terminal Strip**

Terminal strip with 8 contacts is standard allowing connection of solenoid valve.
- 4. Dual Wire Potting**

ALS 10 : Dual 1/2" conduit entries
ALS 20 : Dual 3/4" conduit entries
- 5. Captive Cover Bolts**

These are designed to be held captive by the cover when removed.
- 6. Easy Mounting Bracket**

Mounts easily to any ISO 5211 actuator.



ALS-10

ENCLOSURE
WEATHER PROOF



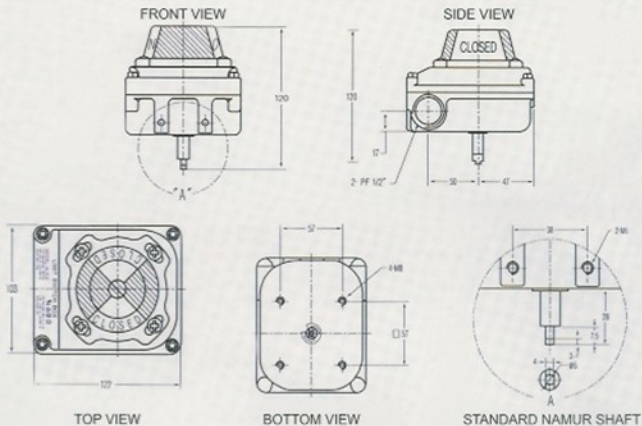
ALS-20

ENCLOSURE
EXPLOSION PROOF
Exd II B T6

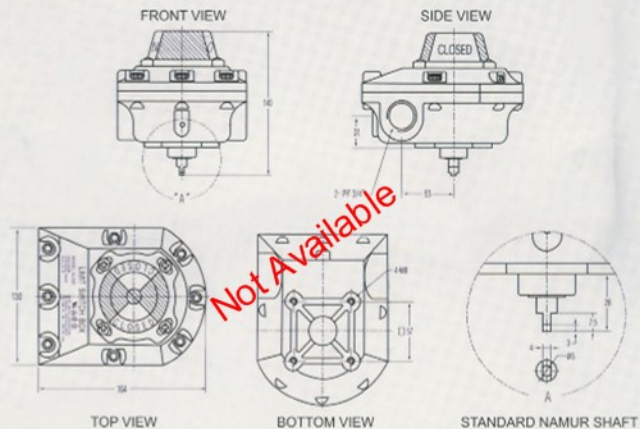
STANDARD MATERIALS OF CONSTRUCTION

NAME	NO	SPECIFICATION
Position indicator outer	1	Polycarbonate
Position indicator inner	1	Polycarbonate
Housing	2	Die-Casting aluminum
Shaft (stem)	1	304 stainless steel
Micro switches	2	Used in UL, CSA approved
Inserts	2	Bronze
O-Ring	4	Nitrile (Rubber)
Cams	2	Polycarbonate (open/closed)
Spring	1	304 stainless steel
Cover screws	4	304 stainless steel
Terminal	8p	Polyethylene

ALS-10 ENCLOSURE WEATHER PROOF



ALS-20 ENCLOSURE EXPLOSION PROOF Exd II B T6



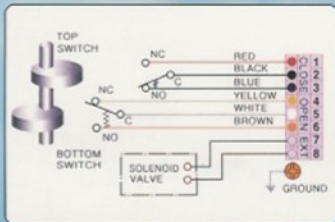
Mounting Bracket

NAMUR standard bracket and mounting bolts/nuts to be provided together with limits switch box as standard

	Model	Material	Size
	P-1	Plastic(ABS)	30 X 80 X 40
 Standard	S-1	Steel	30 X 38 X 30~75
	S-2	Steel	30 X 80 X 30
	S-3	Steel	30 X 130 X 50

Wiring Diagrams

MECHANICAL SWITCH(2 SPDT)



MICRO SWITCHES

USED IN  APPROVED.

TYPE : MECHANICAL SWITCHES

VOLTAGE : MAX 250V AC OR DC

CURRENT : 5.0A 125VAC

Butterfly Valves & Controls Inc.

671 Industrial Blvd. Grapevine, Texas 76051

Phone: 817-421-5343

Facs: 817-416-6270

www.bvcusa.com

LIMIT SWITCH BOX