

Value Valve Namur & Inline Solenoid Valves



Features

Value Valve's "N" & "CS" Series "Spool Type" solenoid offers superior operation compared to traditional poppet type solenoid valves. These valves offer High Flows , Extra Wide Temperatures Ranges, and Corrosion Resistance, Resulting in Long Trouble Free Operation.

Mounting

Value Valve's "N" Series offers Direct , Namur mount to Value Valve's RP pneumatic actuator or any actuator that accepts "Namur" mount solenoid valves. Installation is quick and simple. The Series "CS" Valve offers the flexibility of "Line Mounting" allowing installation of "T's", Inline Speed Controls and other Inline accessories the service may require.

Manual Override

Each series is equipped with a manual override button allowing easy operation of the solenoid with or without power. The button can be momentarily engaged or locked into the override position.

SPECIFICATIONS

Enclosure

Rated Nema 4 & 4X
Coil is molded and potted
Housing is Anodized Aluminum

Electrical

Available in:
120 vac, 220 vac, 24 vac
12 vdc, 24 vdc
IP67 Squeeze Connections (STD.)
2 ft. Pre - Wire (Optional)
1/2" NPT Connector (Optional)
Lighted LED Power- On Coil
Class A Insulation
4.8 VA @ 120 VAC / 60 Hz.
Single Coil and Dual Coil Available

Response

.05 Seconds

Flow

Cv 1.8

Pressure

20 - 150 psig

Temperature

-20 to 140F

Connections

"N" Series Namur 1/4" NPT Ports
"CS" Series 1/4" NPT In, 3/8" NPT Out

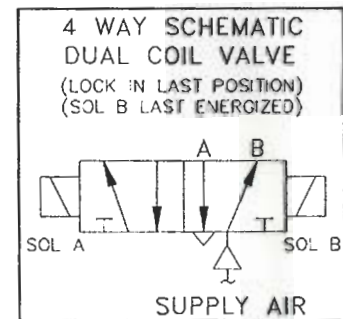
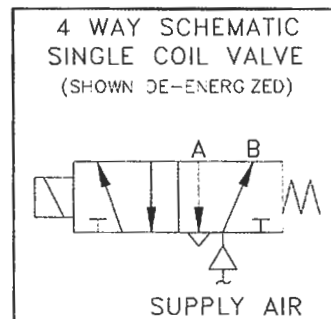
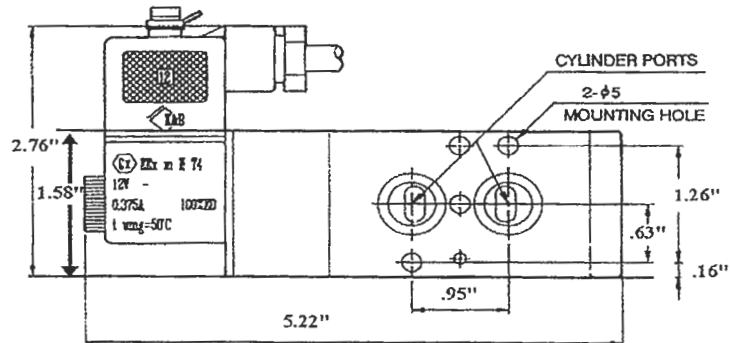
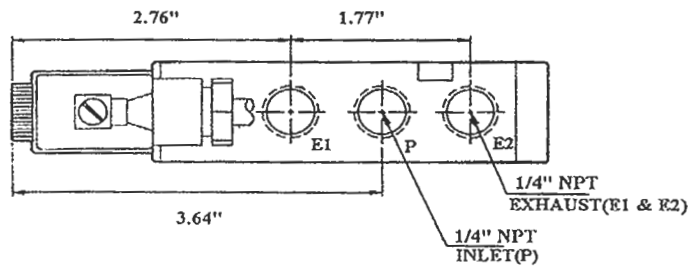
Speed Controls

1/8" & 1/4" Adjustable
Nickel Plated Brass

Mufflers

Cone Shaped, High Capacity
Nickel Plated Brass 1/8" & 1/4"

Note: 4 - way solenoids are often used with spring return actuators to control the air in the spring chamber.



Accessories



Speed Control



IP67 Squeeze Connector



Muffler



1/2" Conduct Connector